

USER MANUAL

MANUAL
DE INSTRUÇÃO

РУКОВОДСТВО
ПО ЭКСПЛУАТАЦИИ

51135

STELS
EQUIPMENT



ENG HYDRAULIC FLOOR JACK, 3.5 T



ATTENTION!

This manual contains rules of operation and maintenance for hydraulic floor jack STELS.

Please pay particular attention to safety phrases. Violation of safety procedures may lead to equipment failure or cause injuries.

POR MACACO HIDRÁULICO TIPO JACARÉ, 3.5 T



ATENÇÃO!

Este manual contém regras de funcionamento e manutenção para o macaco hidráulico de pavimento STELS.

Preste atenção às frases de segurança. A violação dos procedimentos de segurança pode levar à falha do equipamento ou causar lesões.

ENG IMPORTANT

Read this manual before use and retain for future reference.

POR IMPORTANTE

Leia este manual antes de usar e guarde para referência futura

RUS ВНИМАНИЕ

Прочитайте данное руководство перед эксплуатацией изделия и сохраните его для дальнейшего использования.

RUS ДОМКРАТ ГИДРАВЛИЧЕСКИЙ ПОДКАТНОЙ, 3,5 Т



ВАЖНО!

В данном руководстве рассмотрены правила эксплуатации и технического обслуживания домкрата гидравлического подкатного STELS.

Пожалуйста, обратите особое внимание на предупреждающие надписи. Нарушение инструкции может привести к поломке оборудования или травме.

Date of manufacture is indicated on the product.

A data de fabricação é indicada no produto.

Дата изготовления указана на изделии.

CONTENTS

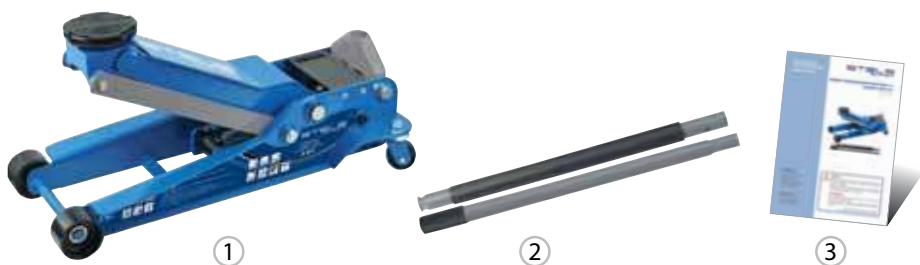
PURPOSE OF THE ITEM.....	3
DELIVERY SET	3
TECHNICAL CHARACTERISTICS.....	3
COMPONENTS	4
SAFETY INSTRUCTIONS	4
BEFORE USE	5
JACK OPERATING PROCEDURE	5
MAINTENANCE.....	6
TROUBLESHOOTING CHART.....	7
PREPARATION TO UTILIZATION.....	7
SELLING AND UTILIZATION.....	7
TRANSPORTATION	8
STORAGE.....	8
WARRANTY PERIOD	8
WARRANTY	8
SERVICE LIFE PERIOD	8
DATE OF MANUFACTURE.....	8
IMPORTER.....	8

PURPOSE OF THE ITEM

The hydraulic floor jack is a device with manual drive designed to raise the load to a height of 100–565 mm. The device features simplicity of maintenance and reliability in operation, smooth lifting of load with minor working effort and the exact fixation thereof at the specified height.

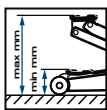
The model is equipped with a delivery pump with two plungers (QUICK LIFT function).

DELIVERY SET



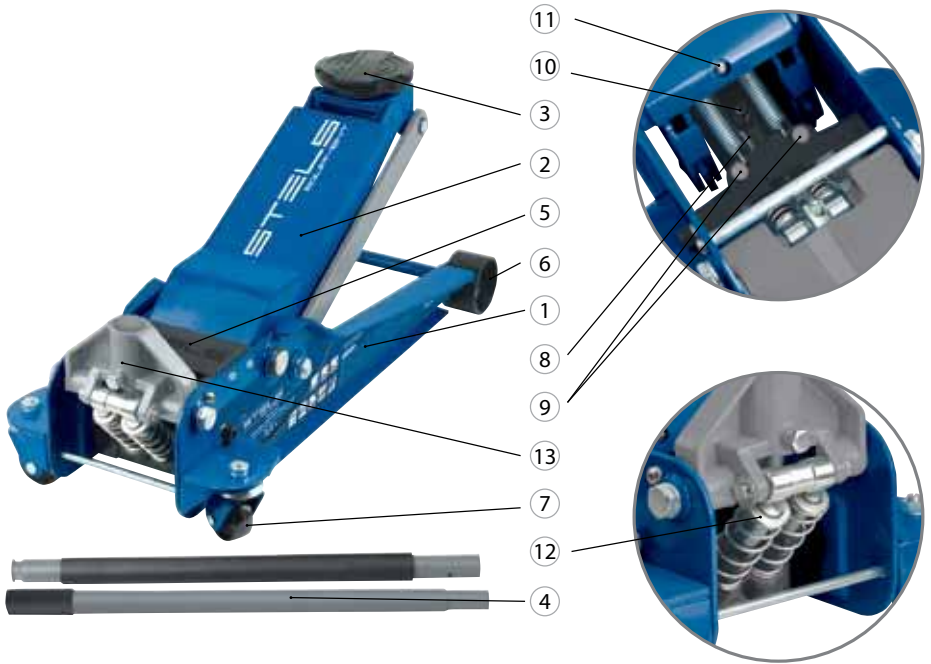
1. Jack, 1 pc
2. Handle, 1 pc (consists of two parts)
3. User manual

TECHNICAL CHARACTERISTICS



Characteristics	51135
Lifting capacity, t	3.5
Pickup height, mm	100
Lifting height, mm	565
Item gross weight, kg	46
Handle length, mm	1200
Oil type	Machine oil 22
Oil working volume, ml	265
Temperature working range, °C	-25...+45

COMPONENTS



1. Frame
2. Lifting arm
3. Saddle (support base)
4. Handle
5. Tray
6. Front wheels
7. Rear wheels
8. Hydraulic unit
9. Safety valves
10. Oil filler
11. Lubrication fitting
12. "QUICK LIFT" system
13. Base

SAFETY INSTRUCTIONS

The dolly-type jack is high hazard equipment.

To avoid the risk of injuries and damage to property, read these operating instructions completely and familiarize yourself thoroughly with the product.

This jack may be used only for load lifting. Never use this jack for the raised load pulling. Pulling of the jack with lifted load is prohibited.

This jack should be used only on smooth, hard and level surface capable of sustaining the load. Use on other surface may cause load to drop.

After lifting, the load should be fixed with the help of special props or supports designed to hold the rated

load weight and reliably keeping it in the lifted position.

It is prohibited to stay or carry out works under the lifted load held only by the jack. Stay away from moving hinged joints of the jack.

Never exceed the maximum rated lifting capacity of the jack. Overload of the jack may result in its failure and cause personal injury.

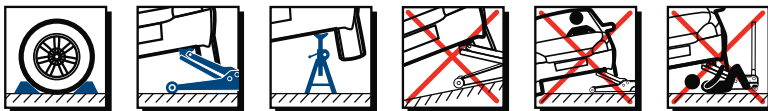
The safety valve is adjusted for safe operation of the item with maximum rated load of 3.5 tons. It is prohibited to change factory settings of the safety valve on your own; it may cause failure of the item and personal injury.

It is permitted to use only the components and adapters recommended for use by the manufacturer. It is prohibited to disassemble the jack on your own initiative, as well as make changes into the construction of the jack.

Failure to heed these rules may result in causing personal injury and failure of hydraulic equipment.

The operator working with the jack should be cautious, competent, should have passed a training course and have a qualification in safety techniques when working with servo motors and their moving parts, and should preserve safety measures while operating the jack.

All warning labels should always be legible and these operating instructions should be kept intact during the whole service life of the jack.

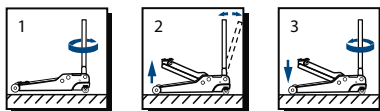


BEFORE USE

Assemble the handle of the jack pump. Insert the upper part of the handle into the lower part, align the holes in them and insert the fixing screw by tightening it with the nut.

Install the handle assembly into the base and make sure that it is reliably fixed in the slot; and then tighten it with the bolt. Try to rotate the handle in both directions – it should move freely.

Test the jack. For this, turn the handle clockwise until the release valve is firmly closed. Pump handle several times up and down; when this is done, the lifting arm of the jack should start rising. To lower the lifting arm, turn the release valve with the help of the handle counterclockwise by no more than three turns. When the lifting arm is lowered completely, close the release valve by turning its handle clockwise as far as it goes.



CAUTION!

Operation of the jack in the wrong position, on the side, in the upside down position is not allowed.

JACK OPERATING PROCEDURE

(THROUGH THE EXAMPLE OF VEHICLE LIFTING)

Make sure that the vehicle and jack are on smooth and hard surface and the jack has a possibility to be displaced during lifting and lowering of the vehicle. Uneven, soft or slanted surfaces create hazard for the execution of works.

Apply the parking brake in the vehicle, turn the automatic gearbox selector into the P position or engage

the first gear in the vehicles with the mechanical gearbox; place vehicle wheels for straight-driving direction. Additionally, fix the wheels which are not planned to be raised from the ground with wedge chocks. Make sure that the vehicle passenger compartment is free of passengers.

With the help of the vehicle instruction manual, determine the points in the car body that may be used for car lifting by the jack. Install the jack with fully lowered lifting arm under the vehicle opposite the vehicle lifting point designed to contact jacks.

Close the release valve with the help of the jack handle by turning it clockwise as far as it goes, then insert the handle into the pump unit handle sleeve and slowly pump until the lifting arm of the jack touches the lifting point in the vehicle designed to contact jacks.

Check position of the lifting arm saddle of the jack. Make sure that:

1. The lift point in the vehicle body is positioned exactly against the center of the saddle;
2. The vehicle may not slip off the jack;
3. The lifting arm of the jack will not damage any parts and components of the vehicle.

Lift the vehicle to the required height by pumping the handle of the jack. Install special stands or props under the body of the vehicle.

Slowly turn the release valve by rotating the handle counterclockwise until the vehicle starts lowering on the props. Make sure that the props are reliably holding the elevated vehicle.

Prior to lowering the vehicle after finishing the operations, make sure that there are no people or foreign objects under the vehicle.

Screw the handle of the jack by rotating it clockwise as far as it goes, then slowly pump it until the lifting arm of the jack touches the vehicle lifting point designed to contact jacks.

Check position of the lifting arm saddle of the jack. Make sure that:

1. The lift point in the vehicle body is positioned exactly against the center of the saddle;
2. The vehicle may not slip off the jack;
3. The lifting arm of the jack will not damage any parts and components of the vehicle.

Raise the vehicle a little by pumping the handle of the jack so as to remove the supports from under it. Remove the supports to the side so that they permit the vehicle to rest on its wheels.

Slowly turn the handle of the jack counterclockwise until the vehicle starts lowering. Take care that the vehicle is lowering slowly and smoothly.



CAUTION!

Sharp lowering may cause slipping of the vehicle from the jack resulting in personal injury of the operator.

After the vehicle is fully lowered on its wheels and is stable, wait until the lifting arm of the jack goes off from the lift point of the vehicle. Then roll the jack aside and close the release valve by rotating the handle of the jack clockwise until it is fully closed.

MAINTENANCE

When the jack is not used, the lifting arm of the jack should be fully lowered. This will prevent rusting of the lifting arm piston rod.

Periodically lubricate moving parts of the jack: lifting arm piston rod, pump rods, axles and bearings of the wheels. Use any engine oil for the purpose. Provision is made to lubricate the axle of the lifting arm through a special lubrication nipple.

Do not use gasoline, kerosene, solvents and abrasive substances for cleaning the jack. They may damage rubber seals and cause oil leakage.

Store jack on level surface in a clean and dry place. When doing so, see that the lifting arm of the jack is fully lowered, and the release valve is fully closed.

The repair of the item should be performed only by highly qualified specialists of the servicing center. The list of service centers is presented in the warranty card.

TROUBLESHOOTING CHART

Symptom	Possible cause	Corrective action
Jack will not lift or lower load	Insufficient oil level	<p>Check oil level as per the following instructions:</p> <ol style="list-style-type: none"> 1. Turn the release valve counterclockwise so that the piston goes down fully. If the lifting arm does not go down, use force. 2. Place jack in a vertical position, open oil filler plug. Oil level should be at the level of the lower point of the filler hole. If the oil level is lower, top up oil to the required level. Use only recommended type of oil. 3. Return the oil filler plug back home. 4. Close the release valve and lift fully and lower the lifting arm of the jack several times. This will help fully distribute oil in the whole system. In most cases, this helps to restore the serviceability of the item. 5. Check operation of the jack.
	Air is trapped in the system of the jack	<ol style="list-style-type: none"> 1. Turn the release valve counterclockwise by one full turn and make six full strokes with the handle. 2. Turn the release valve clockwise as far as it goes so as to close it fully. 3. Continue to pump the pump with the handle until the lifting arm occupies the upper position and pump handle several more strokes so as to blow all the air from the piston. 4. Carefully open oil filler plug partially so as to release the trapped air. 5. Turn the release valve counterclockwise by one full turn; lower the lifting arm to the extreme low position. Use force, if necessary. 6. Close the release valve clockwise as far as it goes and check serviceability of the jack. If necessary, repeat the above-mentioned procedure one more time.
Jack will not lower fully	The return spring of the lifting arm has slipped off or is broken	<p>Drive it home or replace. Lubricate all moving parts of the lifting arm.</p>
	Oil level is too high	Check oil level and drain excess by opening the oil filler plug.

PREPARATION TO UTILIZATION

Prior to utilization of the item all working fluid should be drained from it. To do this, turn the release valve counterclockwise so that the piston goes full way down, and then close the valve. Open the oil filler plug and drain all the oil.

SELLING AND UTILIZATION

The STELS equipment is realized via sales outlets and shops in accordance with the legislature of the Russian Federation. Utilization of STELS equipment is performed in accordance with the requirements and norms

of Russia and countries — participants of the Customs Union.

TRANSPORTATION

Item can be forwarded by all types of enclosed transport in accordance with shipping rules, applicable for each type of transport.

Transportation conditions under climatic factors:

outdoor temperature from -20 to +55 °C;

relative humidity up to 80 % under temperature +20 °C.

The package with item should not be subjected to excessive shocks and precipitation during transportation and handling.

Stowage and securing the transport crate with the packaged item in vehicles should ensure a stable position and the lack of ability to move during transportation.

STORAGE

Storage must be carried out at outdoor temperatures from 0 to +40 °C and relative humidity less than 80%, out of the reach of children. Shelf life is unlimited.

WARRANTY PERIOD

The warranty period of the item makes up 12 months since the date of selling, provided the safety rules, rules of operation with the item and servicing and storage conditions have been duly preserved. The consumer has the right to address the service center (see the warranty card) for post-warranty servicing or repair.

WARRANTY

Product manufacturer's warranty is applied to the item.

Warranty period specified in the warranty card, and calculated from the date of sale. Warranty rules can be found in warranty card.

SERVICE LIFE PERIOD

Average service life period subject to the rules of operation by consumer is 5 years.

DATE OF MANUFACTURE

The date of manufacture stamped on the product as item code:

TH2201020140315,0001
1 2 3

1. Model (original article) of manufacturer
2. The date of manufacture in the format of "year / month / day"
3. Lot number

IMPORTER

Address and contact telephone of the authorized importer organization: OOO «MIR INSTRUMENTA»
117588, city of Moscow, P.O. Box 70, tel.: +7 (495) 2344130 .

Made in PRC

ÍNDICE

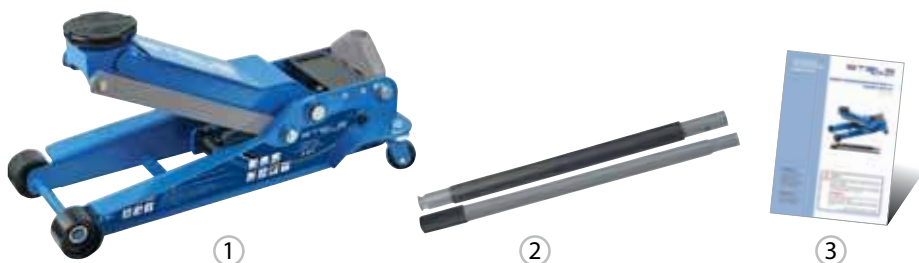
OBJETIVO DO ITEM	10
CONJUNTO DE ENTREGA	10
CARACTERÍSTICAS TÉCNICAS	10
COMPONENTES.....	11
INSTRUÇÕES DE SEGURANÇA.....	11
ANTES DE USAR.....	12
MACACO PROCEDIMENTO OPERACIONAL.....	12
MANUTENÇÃO	13
TABELA DE SOLUÇÃO DE PROBLEMAS	13
PREPARAÇÃO PARA UTILIZAÇÃO	14
ARMAZENAMENTO.....	15
PERÍODO DE GARANTIA	15
GARANTIA	15
GARANTIA DE SERVIÇO DO PRODUTO.....	15
DATA DE FABRICAÇÃO	15
IMPORTADOR.....	15

OBJETIVO DO ITEM

O macaco hidráulico é um dispositivo com acionamento manual concebido para elevar a carga a uma altura de 130-465 mm. O dispositivo apresenta simplicidade de manutenção e confiabilidade em operação, elevação suave da carga com menor esforço de trabalho e sua fixação exata na altura especificada.

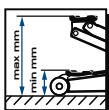
O modelo é equipado com uma bomba de entrega com dois êmbolos (função de elevação rápida).

COMPONENTES NA ENTREGA



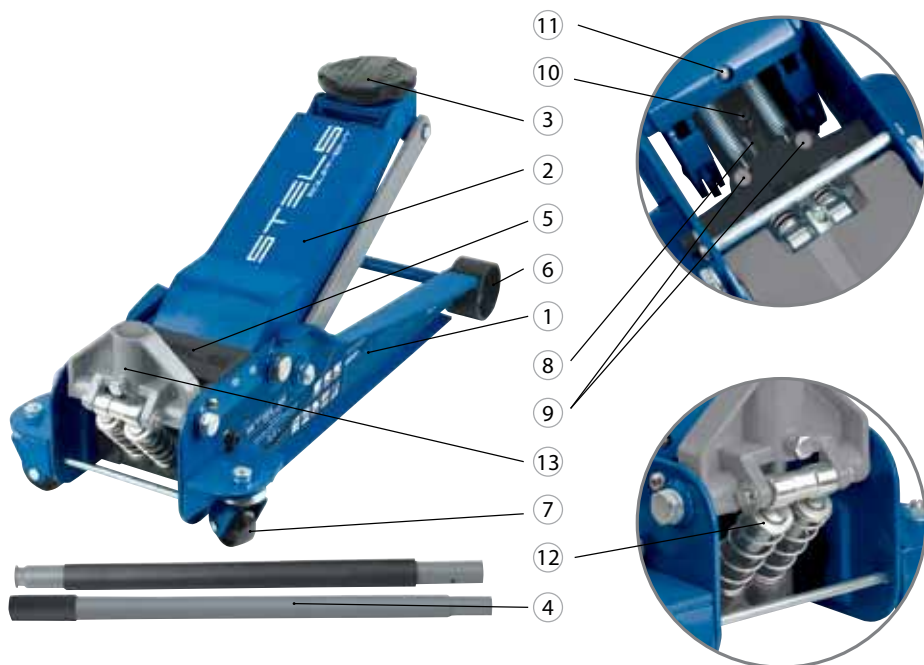
1. Macaco Hidráulico, 1 peça
2. Alavanca, 1 peça (contém duas partes)
3. Manual de instrução

CARACTERÍSTICAS TÉCNICAS



Characteristics	51135
Capacidade de Elevação, t	3,5
Altura da haste, mm	100
Altura total com a haste, mm	565
Peso bruto, kg	46
Comprimento da alavanca, mm	1200
tipo de óleo	Óleo de máquina 22
Volume de óleo, ml	265
Escala de trabalho Temperatura, C	-25...+45

COMPONENTES



1. Quadra
2. Braço de Elevação
3. Base de apoio
4. Cabo de alavanca
5. Bandeja
6. Rodas dianteiras
7. Rodas traseiras
8. Comando hidráulico
9. A válvula de segurança
10. Abastecimento de óleo
11. Sistema de lubrificação
12. Sistema de Elevação rapido
13. Base

INSTRUÇÕES DE SEGURANÇA

O macaco hidráulico é um equipamento de perigo elevado. Para evitar o risco de ferimentos e danos à propriedade, leia este manual de instruções completamente e familiarizar-se completamente com o produto. Este macaco pode ser usado apenas para elevação de carga. Nunca puxar o macaco com carga levantada é proibida. Este macaco deve ser usado somente piso plano, resistentes e superfície nivelada capaz de sustentar a carga. Uso em outra superfície pode causar a queda da carga. Após o levantamento, a carga deve ser fixada com a ajuda de adereços especiais ou suportes concebidos para suportar o peso da carga nominal e mantê-lo de forma confiável na posição levantada.

É proibido ficar ou realizar obras ao abrigo da carga levantada realizada apenas pelo macaco. Fique longe de se mover junto ao macaco.

Não exceder a capacidade máxima de elevação do macaco. A sobrecarga pode resultar em sua falha e causar ferimentos.

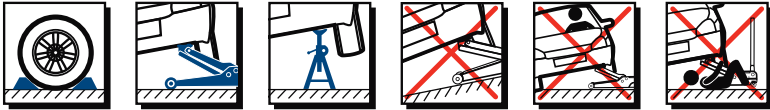
O macaco hidráulico suportar uma carga máximo de 3 toneladas. É proibido alterar as configurações de fábrica da válvula de segurança; pode causar a falha ou ferimentos pessoais.

É permitido utilizar apenas os componentes e adaptadores recomendadas pelo fabricante. É proibido desmontar o macaco, bem como fazer alterações na sua estrutura.

O operador que trabalha com o macaco deve ser cauteloso, competente, deve ter feito um curso de formação e ter uma qualificação em técnicas de segurança ao trabalhar com setores de motores e suas partes móveis e deve preservar as medidas de segurança durante o funcionamento do macaco.

Todas as etiquetas de advertência devem ser sempre legíveis e estas instruções de funcionamento devem ser mantidas intactas durante toda a vida útil do macaco.

O não cumprimento destas regras pode resultar em ferimentos pessoais e falhas no equipamento hidráulico.



ANTES DE USAR

Montar o punho da bomba do macaco. Insira a parte superior do punho na parte inferior, alinhe os furos neles e insira o parafuso de fixação apertando-o com a porca.

Instale o conjunto do punho na base e se certificar de que ela está fixada de forma confiável. E depois aperte-o com o parafuso. Tente girar o cabo em ambas as direções - ele deve se mover livremente.

Realizando texto macaco. Para isso, gire a alavanca no sentido horário até que a válvula de liberação fique firmemente fechada. Movimento a bomba várias vezes para cima e para baixo; quando isso é feito, o braço de elevação do macaco deve começar a subir. Para abaixar o braço de elevação, gire a válvula de liberação com a ajuda do punho no sentido anti-horário por não mais de três voltas. Quando o braço de elevação é abaixado completamente, feche a válvula de liberação girando sua alavanca no sentido horário até onde ela for.



CUIDADO!

O funcionamento do macaco na posição errada, no lado, na posição de cabeça para baixo não é permitido.

PROCEDIMENTO OPERACIONAL

(THROUGH THE EXAMPLE OF VEHICLE LIFTING)

Certifique-se de que o veículo e o macaco estão em superfície lisa e resistente e ser o macaco tem a possibilidade de ser deslocado durante a elevação e abaixamento do veículo. As superfícies irregulares ou inclinadas criam riscos para a execução do trabalho.

Acione o freio de mão do veículo, no caso de carro automáticos mantenha na posição P ou engate a primeira marcha nos veículos com direção mecânica; Colocar as rodas do veículo na direção reta.

Além disso, fixar as rodas que não são planejadas para ser levantado do chão com calços de cunha. Certifique-se de que não há passageiros dentro do veículo.

Com a ajuda do manual de instruções do veículo, determinar os pontos na carroçaria do automóvel que pode ser utilizado para o levantamento do carro pelo macaco. Instale o macaco com o braço de elevação totalmente rebaixado sob o veículo em frente ao ponto de elevação do veículo concebido para contato do

macaco.

Feche a válvula de libertação com o auxílio da alavanca do macaco, rodando-a no sentido horário até ao fim, insira o manípulo na manga da pega da bomba e bombeie lentamente até que o braço de elevação do macaco toque o ponto de elevação do veículo concebido para Tomadas de contato.

Verifique a posição do suporte do braço de elevação do macaco. Certifique-se de que:

1. O ponto de elevação do veículo é posicionado corretamente no centro;
2. O veículo não pode deslizar sobre a base de apoio do macaco;
3. O braço de elevação do macaco não irá causar danos há nenhuma peça do veículo.

Levante o veículo à altura necessária, bombeando o cabo do macaco. Instale suportes especiais ou acessórios sob o corpo do veículo.

Gire lentamente a válvula de libertação, é girando a alavanca no sentido anti-horário até que o veículo comece a baixar nos adereços. Certifique-se de que os apoios estão segurando o veículo elevado.

Antes de baixar o veículo após o término das operações, verifique se não há pessoas ou objetos sob o veículo. Coloque a alavanca do macaco rodando-a no sentido horário até ao ponto em que se encontra e, em seguida, bata-a lentamente até que o braço de elevação do macaco toque o ponto de elevação do veículo concebido para contato do macaco.



ATENÇÃO!

Uma queda brusca pode causar o deslizamento do veículo e do macaco, resultando em ferimentos pessoais do operador.

Depois que o veículo estiver completamente baixado sob as rodas e estável, aguarde até que o braço de elevação do macaco fique fora do ponto de elevação do veículo. Em seguida, role o macaco de lado e feche a válvula de libertação, girando o punho do macaco no sentido horário até que esteja completamente fechado.

MANUTENÇÃO

Quando o macaco não for utilizado, o braço de elevação do macaco deve estar totalmente baixado. Isso impedirá que haja ferrugem na haste do pistão e braço de elevação.

Periodicamente lubrificar as peças móveis do macaco: haste do pistão do braço de elevação, hastes da bomba, eixos e rolamentos das rodas. Use qualquer óleo do motor para o efeito. É feita uma provisão para lubrificar o eixo do braço de elevação através de um bocal especial de lubrificação.

Não utilize gasolina, querosene, solventes e substâncias abrasivas para limpar o macaco. Eles podem danificar as vedações de borracha e causar vazamento de óleo.

Guarde o macaco na superfície nivelada num local limpo e seco. Ao fazer isso, verifique se o braço de elevação do macaco está completamente abaixado e a válvula de libertação está completamente fechada. A reparação do artigo deve ser realizada apenas por especialistas altamente qualificados do centro de serviço. A lista de centros de serviço é apresentada no cartão de garantia.

TABELA DE SOLUÇÃO DE PROBLEMAS

CAUSA	POSSÍVEIS CAUSA	AÇÃO CORRETIVA
O macaco não levanta ou abaixa a carga	Nível de óleo insuficiente	<p>Verifique o nível de óleo conforme as instruções a seguir:</p> <ol style="list-style-type: none"> 1. Gire a válvula de liberação no sentido anti-horário para que o pistão desça completamente. Se o braço de elevação não descer, use força. 2. Coloque o macaco na posição vertical, abra o tampão de enchimento de óleo. O nível de óleo deve estar ao nível do ponto mais baixo do orifício de enchimento. Se o nível de óleo for menor, encha o óleo até o nível desejado. Utilize apenas o tipo de óleo recomendado. 3. Retorne o tampão de enchimento de óleo. 4. Feche a válvula de liberação e levante-a completamente e abaixe o braço de elevação do macaco várias vezes. Isso ajudará a distribuir 5. Em todo o sistema. Na maioria dos casos, isso ajuda a restaurar a capacidade de manutenção do item. 6. Verifique o funcionamento do macaco.
	O ar está preso no sistema hidráulico	<ol style="list-style-type: none"> 1. Gire a válvula de liberação no sentido anti-horário por uma volta completa e faça seis cursos completos com a alça 2. Gire a válvula de liberação no sentido horário até o fim para fechá-la completamente. 3. Continue a bombear a bomba com a pega até que o braço de elevação ocupe a posição superior e a manivela da bomba várias vezes mais para soprar todo o ar do pistão. 4. Abra cuidadosamente o tampão de enchimento de óleo parcialmente para libertar o ar. 5. Gire a válvula de liberação no sentido anti-horário em uma volta completa; abaixe o braço de elevação até a posição mais baixa. Use força, se necessário. 6. Feche a válvula de liberação no sentido horário até o fim e verifique a capacidade de manutenção do macaco. Se necessário, repita o procedimento acima uma vez mais.
Macaco não vai baixar completamente	A mola de retorno do braço de elevação desliza ou está quebrada	<p>Dirija-o para substituir.</p> <p>Lubrifique todas as partes móveis do braço de elevação.</p>
	O nível de óleo está muito alto	Verifique o nível de óleo e drenar o excesso abrindo o tampão de enchimento do óleo.

PREPARAÇÃO À UTILIZAÇÃO

Antes da utilização do item todo o fluido de trabalho deve ser drenado a partir dele. Para fazer isso, gire a válvula de liberação no sentido anti-horário para que o êmbolo fique cheio, e então feche a válvula. Abra o tampão de enchimento de óleo e drene todo o óleo.

TRANSPORTE

O produto pode ser encaminhado por todos os tipos de transporte fechado de acordo com as regras de expedição, aplicáveis para cada tipo de transporte.

Condições de transporte sob fatores climáticos: Temperatura exterior de -20 a +55 ° C;

Humidade relativa até 80% sob temperatura +20 ° C.

O pacote com o item não deve ser submetido a choques excessivos e precipitação durante o transporte e manuseio.

ARMAZENAMENTO

O armazenamento deve ser efetuado a temperaturas exteriores de 0 a +40 ° C e humidade relativa inferior a 80%, fora do alcance das crianças. A vida útil é ilimitada.

PERÍODO DE GARANTIA

O período de garantia do item compensa 12 meses desde a data de venda, desde que as regras de segurança, as regras de operação com o item e as condições de manutenção e armazenamento tenham sido devidamente preservadas. O consumidor tem o direito de dirigir-se ao centro de assistência técnica (ver o cartão de garantia) para assistência pós-garantia ou reparação.

GARANTIA

A garantia do fabricante do produto é aplicada ao item.

Período de garantia especificado no cartão de garantia e calculado a partir da data de venda. As regras de garantia podem ser encontradas no cartão de garantia.

GARANTIA DE SERVIÇO E PRODUTO

Prazo de vida útil médio sujeito às regras de operação por consumidor é de 5 anos.

DATA DE FABRICAÇÃO

A data de fabricação carimbada no produto como código do item:

TH2201020140315_0001
1 2 3

1. Modelo (artigo original) do fabricante
2. A data de fabricação no formato "ano / mês / dia"
3. Número do lote

IMPORTADOR

MUNDO DAS FERRAMENTAS DO BRASIL LTDA, RUA IRAQUARA, 18 GUARULHOS – SP, CEP: 07161-550,
TELEFONE: 11 2466-8086, SAC: 0800 777 8 999, mail@toolsworld.com.br
PAIS DE ORIGEM: CHINA

СОДЕРЖАНИЕ

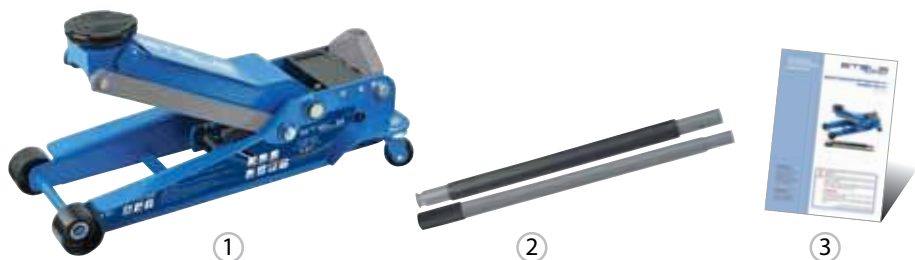
НАЗНАЧЕНИЕ ИЗДЕЛИЯ	17
КОМПЛЕКТ ПОСТАВКИ	17
ТЕХНИЧЕСКИЕ ХАРАКТЕРИСТИКИ.....	17
УСТРОЙСТВО	18
ТРЕБОВАНИЯ БЕЗОПАСНОСТИ	18
ПОДГОТОВКА К ЭКСПЛУАТАЦИИ.....	19
ПОРЯДОК РАБОТЫ С ДОМКРАТОМ	20
ОБСЛУЖИВАНИЕ И УХОД.....	20
ВОЗМОЖНЫЕ ПРОБЛЕМЫ ПРИ ЭКСПЛУАТАЦИИ.....	21
ПОДГОТОВКА К УТИЛИЗАЦИИ	22
РЕАЛИЗАЦИЯ И УТИЛИЗАЦИЯ	22
ТРАНСПОРТИРОВКА.....	22
ХРАНЕНИЕ.....	22
ГАРАНТИЙНЫЕ ОБЯЗАТЕЛЬСТВА	22
СРОК СЛУЖБЫ	22
ДАТА ИЗГОТОВЛЕНИЯ	23
ИМПОРТЕР	23

НАЗНАЧЕНИЕ ИЗДЕЛИЯ

Гидравлический подкатной домкрат представляет собой устройство с ручным приводом, предназначенное для поднятия грузов на высоту 100–565 мм. Отличается простотой обслуживания и надежностью в эксплуатации, позволяет при небольшом рабочем усилии осуществлять плавный подъем груза и его точную фиксацию на заданной высоте.

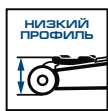
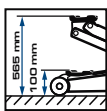
Модель оснащена нагнетающим насосом с двумя плунжерами (функция QUICK LIFT).

КОМПЛЕКТ ПОСТАВКИ



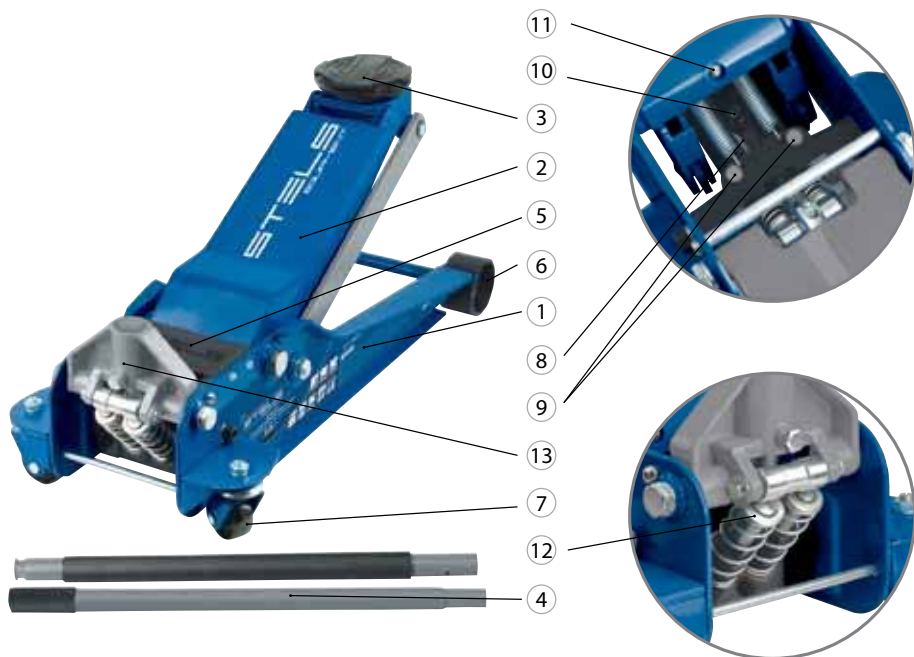
1. Домкрат, 1 шт.
2. Рукоятка, 1 шт. (состоит из двух частей)
3. Руководство по эксплуатации, 1 шт.

ТЕХНИЧЕСКИЕ ХАРАКТЕРИСТИКИ



Характеристика	51135
Грузоподъемность, т	3,5
Высота подхвата, мм	100
Высота подъема, мм	565
Вес изделия брутто, кг	46
Длина рукоятки, мм	1200
Марка масла	Machine oil 22
Рабочий объем масла, мл	265
Рабочий диапазон температур, °С	-25...+45

УСТРОЙСТВО



1. Рама
2. Подъемный рычаг
3. Седло (опорная основа)
4. Рукоятка
5. Лоток
6. Передние колеса
7. Задние колеса
8. Гидравлический блок
9. Предохранительные клапаны
10. Маслозаливная горловина
11. Штуцер для смазки оси подъемного рычага
12. Система «QUICK LIFT»
13. Основание

ТРЕБОВАНИЯ БЕЗОПАСНОСТИ

Подкатной домкрат – оборудование повышенной опасности. Во избежание получения травм и повреждения имущества внимательно ознакомьтесь с настоящей инструкцией по эксплуатации.

Домкрат может использоваться только для подъема груза. Перемещение поднятого груза при помощи домкрата запрещается. Перемещение домкрата с грузом запрещается.

Домкрат должен использоваться только на твердой, ровной и устойчивой поверхности. Использование на иной поверхности может привести к падению груза.

После подъема груз должен быть зафиксирован при помощи специальных опор или подставок, рас-

считанных на вес груза и надежно удерживающих его в поднятом состоянии.

Запрещается находиться или выполнять работы под грузом, который удерживается только домкратом. Не прикасайтесь к подвижным шарнирным соединениям домкрата.

Не превышайте максимально допустимую грузоподъемность домкрата. Перегруз домкрата может привести к выходу его из строя и получению травм.

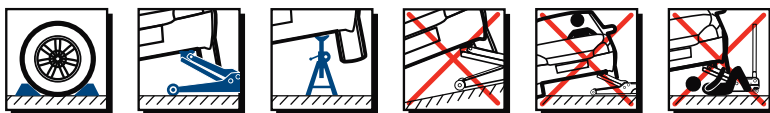
Предохранительный клапан настроен на безопасную работу изделия с максимально допустимой нагрузкой 3,5 тонны. Запрещается самостоятельно менять заводские настройки предохранительного клапана, это может привести к выходу из строя изделия и травмам.

Разрешается использовать только комплектующие и переходники, рекомендованные производителем. Запрещается самостоятельно производить разборку домкрата, а также вносить изменения в его конструкцию.

Оператор, работающий с домкратом, должен пройти курс по технике безопасности при работе с серводвигателями и их движущимися частями и соблюдать все меры предосторожности.

Читаемость всех предупреждающих наклеек и настоящая инструкция должны быть сохранены в целостности в течение всего срока эксплуатации домкрата.

Игнорирование данных правил может привести к получению травм, а также к выходу из строя гидравлического оборудования.

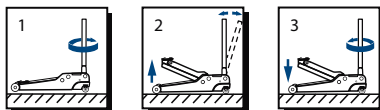


ПОДГОТОВКА К ЭКСПЛУАТАЦИИ

Соберите рукоятку насоса домкрата. Вставьте верхнюю часть ручки в нижнюю, совместите отверстия в них и вставьте фиксирующий винт, затянув его гайкой.

Вставьте собранную рукоятку в основание и убедитесь, что она четко зафиксирована в пазу, затем затяните ее болтом. Повращайте рукоятку в обе стороны – она должна вращаться свободно.

Протестируйте домкрат. Для этого поверните рукоятку по часовой стрелке до упора для полного закрытия запорного клапана. Покачайте несколько раз рукоятку вперед-назад, при этом подъемный рычаг домкрата должен начать подниматься. Чтобы опустить подъемный рычаг, поверните рукоятку против часовой стрелки не более чем на три оборота. Когда рычаг полностью опустится, закройте запорный клапан, повернув рукоятку по часовой стрелке до упора.



ВНИМАНИЕ!

Работа домкрата в неправильном положении (на боку, в перевернутом состоянии и др.) не предусмотрена.

ПОРЯДОК РАБОТЫ С ДОМКРАТОМ

(НА ПРИМЕРЕ ПОДНЯТИЯ АВТОМОБИЛЯ)

Проверьте, что автомобиль и домкрат находятся на твердой и ровной поверхности и домкрат имеет возможность смещаться вперед-назад во время подъема и опускания автомобиля. Неровная, не-твердая или наклонная поверхность создаст опасные для выполнения работы условия.

Поставьте автомобиль на стояночный тормоз, селектор АКПП переведите в положение Р либо включите первую передачу на автомобиле с МКПП, выставите колеса прямо. Дополнительно зафиксируйте колеса, которые не предполагается отрывать от земли, клиновидными упорами. Убедитесь, что в салоне автомобиля никого нет.

Определите при помощи инструкции по эксплуатации автомобиля, где на кузове расположены ответные части, за которые автомобиль можно поднимать домкратом. Установите домкрат с полностью опущенным подъемным рычагом под автомобиль напротив ответной части для домкратов. Закрутите рукоятку домкрата до упора по часовой стрелке, затем медленно качайте ее до тех пор, пока подъемный рычаг домкрата не коснется ответной части на кузове автомобиля.

Проверьте положение опорной части подъемного рычага домкрата. Убедитесь, что:

1. ответная часть на кузове автомобиля расположена точно по центру седла;
2. автомобиль не соскользнет с домкрата;
3. подъемный рычаг домкрата не нанесет повреждения никаким частям и деталям автомобиля.

Поднимите автомобиль на требуемую высоту, качая рукоятку домкрата. Подставьте под кузов автомобиля специальные опоры или подставки.

Медленно вращайте рукоятку домкрата против часовой стрелки до тех пор, пока автомобиль не начнет опускаться на подставки. Убедитесь, что подставки надежно удерживают поднятый автомобиль.

Прежде чем опустить автомобиль после окончания работ, убедитесь, что под автомобилем не находятся люди и посторонние предметы.

Закрутите рукоятку домкрата до упора по часовой стрелке, затем медленно качайте ее до тех пор, пока подъемный рычаг домкрата не коснется ответной части на кузове автомобиля.

Проверьте положение опорной части подъемного рычага домкрата.

Убедитесь, что:

1. ответная часть на кузове автомобиля расположена точно по центру седла;
2. автомобиль не соскользнет с домкрата;
3. подъемный рычаг домкрата не нанесет повреждения никаким частям и деталям автомобиля.

Приподнимите автомобиль, качая рукоятку домкрата, для того чтобы убрать подставки из-под него. Уберите подставки в сторону, чтобы они не помешали автомобилю опуститься на колеса.

Медленно вращайте рукоятку домкрата против часовой стрелки до тех пор, пока автомобиль не начнет опускаться. Следите за тем, чтобы опускание автомобиля происходило медленно и плавно.



ВНИМАНИЕ!

Резкое опускание может привести к срыву автомобиля с домкрата и травмированию оператора.

После того как автомобиль полностью и устойчиво опустится на колеса, дождитесь, когда подъемный рычаг домкрата отойдет от ответной части автомобиля. Затем откатите домкрат в сторону и закройте запорный клапан, повернув его рукояткой домкрата до упора по часовой стрелке.

ОБСЛУЖИВАНИЕ И УХОД

Когда домкрат не используется, подъемный рычаг домкрата должен быть полностью опущен. Это предупредит появление коррозии на штоке подъемного рычага.

Периодически смазывайте движущиеся части домкрата: шток подъемного рычага, штоки насоса, оси и подшипники колес. Для смазки используйте любое моторное масло. Предусмотрена смазка оси подъемного рычага через специальный штуцер.

Не используйте бензин, керосин, растворители и абразивные вещества для очистки домкрата. Они могут повредить резиновые уплотнения, что вызовет протечку масла.

Храните домкрат на ровной поверхности в чистом и сухом месте. При этом необходимо, чтобы подъемный рычаг домкрата был полностью опущен, а запорный клапан закрыт.

Ремонт изделия должен производиться только квалифицированными специалистами сервисного центра. Перечень сервисных центров приведен в гарантийном талоне.

ВОЗМОЖНЫЕ ПРОБЛЕМЫ ПРИ ЭКСПЛУАТАЦИИ

Неисправность	Возможная причина	Способ устранения
Домкрат не поднимает или не опускает груз.	Недостаточный уровень масла.	Проверьте уровень масла, следуя инструкции: 1. Поверните запорный клапан против часовой стрелки, чтобы поршень полностью опустился вниз. Если подъемный рычаг не опускается, примените силу. 2. Поставьте домкрат в вертикальное положение, откройте пробку маслозаливной горловины. Уровень масла должен быть на уровне нижней точки заливного отверстия. Если уровень ниже, долейте масло до необходимого уровня. Используйте только рекомендованное масло. 3. Верните на место пробку маслозаливной горловины. 4. Закройте запорный клапан и несколько раз полностью поднимите и опустите подъемный рычаг домкрата. Это позволит полностью распределить масло по всей системе. В большинстве случаев это помогает восстановить работу изделия. 5. Проверьте работу домкрата.
	В системе домкрата скопился воздух.	1. Поверните запорный клапан против часовой стрелки на один полный оборот и сделайте шесть полных ходов рукояткой. 3. Поверните запорный клапан по часовой стрелке до упора, чтобы закрыть его. 4. Продолжайте прокачивать насос рукояткой до тех пор, пока подъемный рычаг не примет крайнее верхнее положение и прокачайте еще несколько раз, чтобы удалить воздух, заполнивший поршень. 5. Аккуратно приоткройте пробку маслозаливной горловины, чтобы выпустить собравшийся воздух. 6. Поверните запорный клапан против часовой стрелки на один полный оборот, опустите подъемный рычаг в крайнее нижнее положение. При необходимости примените силу. 7. Закройте запорный клапан по часовой стрелке до упора и проверьте работоспособность домкрата. В случае необходимости повторите описанные выше действия еще раз.
Домкрат опускается не полностью.	Пружина возврата подъемного рычага соскочила или сломалась.	Поместите ее на место либо замените. Смажьте движущиеся части подъемного рычага.
	Уровень масла превышает допустимое значение.	Проверьте уровень и при необходимости слейте излишек, открыв маслозаливную пробку.

ПОДГОТОВКА К УТИЛИЗАЦИИ

Перед утилизацией данного изделия необходимо полностью слить из него рабочую жидкость. Для этого следует повернуть запорный клапан против часовой стрелки, чтобы поршень полностью опустился вниз, затем закрыть клапан, открыть пробку маслозаливной горловины и слить все масло.

РЕАЛИЗАЦИЯ И УТИЛИЗАЦИЯ

Реализация оборудования STELS осуществляется через торговые точки и магазины согласно законодательству стран — участников Таможенного союза. Утилизация оборудования STELS осуществляется в соответствии с требованиями и нормами России и стран — участников Таможенного союза.

ТРАНСПОРТИРОВКА

Изделие может транспортироваться всеми видами закрытого транспорта в соответствии с правилами перевозок, действующими для каждого вида транспорта.

Условия транспортирования при воздействии климатических факторов:

температуре окружающего воздуха от -20 до +55 °С;

относительной влажности воздуха до 80 % при температуре +20 °С.

Во время транспортирования и погрузочно-разгрузочных работ упаковка с аппаратом не должна подвергаться резким ударам и воздействию атмосферных осадков.

Размещение и крепление транспортировочной тары с упакованным изделием в транспортных средствах должны обеспечивать устойчивое положение и отсутствие возможности перемещения при перевозке.

ХРАНЕНИЕ

Хранение необходимо осуществлять при температуре окружающей среды от 0 до +40 °С и относительной влажности воздуха не более 80 % в месте, недоступном для детей. Срок хранения не ограничен.

ГАРАНТИЙНЫЙ СРОК

Гарантийный срок службы изделия составляет 12 месяцев с момента продажи, при условии соблюдения правил техники безопасности, правил работы с изделием и условий обслуживания и хранения. Потребитель вправе обратиться в сервисный центр (см. перечень в гарантийном талоне) для последующего технического обслуживания или ремонта.

ГАРАНТИЙНЫЕ ОБЯЗАТЕЛЬСТВА

На изделие распространяется гарантия производителя.

Период гарантийного обслуживания указан в гарантийном талоне и исчисляется с момента продажи. Правила гарантийного обслуживания приведены в гарантийном талоне.

СРОК СЛУЖБЫ

Средний срок службы изделия при условии соблюдения потребителем правил эксплуатации составляет 5 лет.

ДАТА ИЗГОТОВЛЕНИЯ

Дата изготовления проставляется на изделии в виде кода:

TH22010201403150001
1 2 3

1. Модель (оригинальный артикул) производителя
2. Дата изготовления в формате «год/месяц/число»
3. Номер партии

ИМПОРТЕР

Адрес и контактный телефон уполномоченной организации — импортера:
ООО «МИР ИНСТРУМЕНТА» 117588, г. Москва, а/я 70, тел.: +7 (495) 2344130.

Продукция соответствует требованиям ТР ТС 010/2011
Made in PRC



STELS
EQUIPMENT